

BEAMER-C300

NEOMOUNTS BEAMER-C300 BEAMER CEILING

SPECIFICATIONS

GENERAL

Min. weight	0 kg (per screen)
Max. weight	10 kg (per screen)

FUNCTIONALITY

Type	Tilt Swivel Full motion
Height adjustment	15 cm
Tilt (degrees)	90°
Swivel (degrees)	360°
Adjustment type	Manual

INFORMATION

Color	Black
Main material	Steel
Warranty	5 year
EAN code	8717371442019

*Please note: The inch sizes stated are just an indication, combined with the weight and VESA sizes. The maximum weight and VESA size are absolute restrictions for the products and should not be exceeded.



Neomounts



Neomounts

Neomounts BEAMER-C300 Beamer ceiling mount - max 10 kg - h 15 cm - full motion - black

The Neomounts projector ceiling mount, model BEAMER-C300 is a universal tilt-, swivel and/or rotatable ceiling mount for projectors up to 10 kg. This mount is a great choice for an optimal viewing experience. This versatile, ready to install mount, offers the convenience of installation to the ceiling without the need of additional accessories.

Neomounts versatile tilt (90°), rotate and/or swivel (360°) technology allows the mount to change to any viewing angle to fully benefit from the capabilities of the projector. The mount has a fixed height of 15 centimetres.

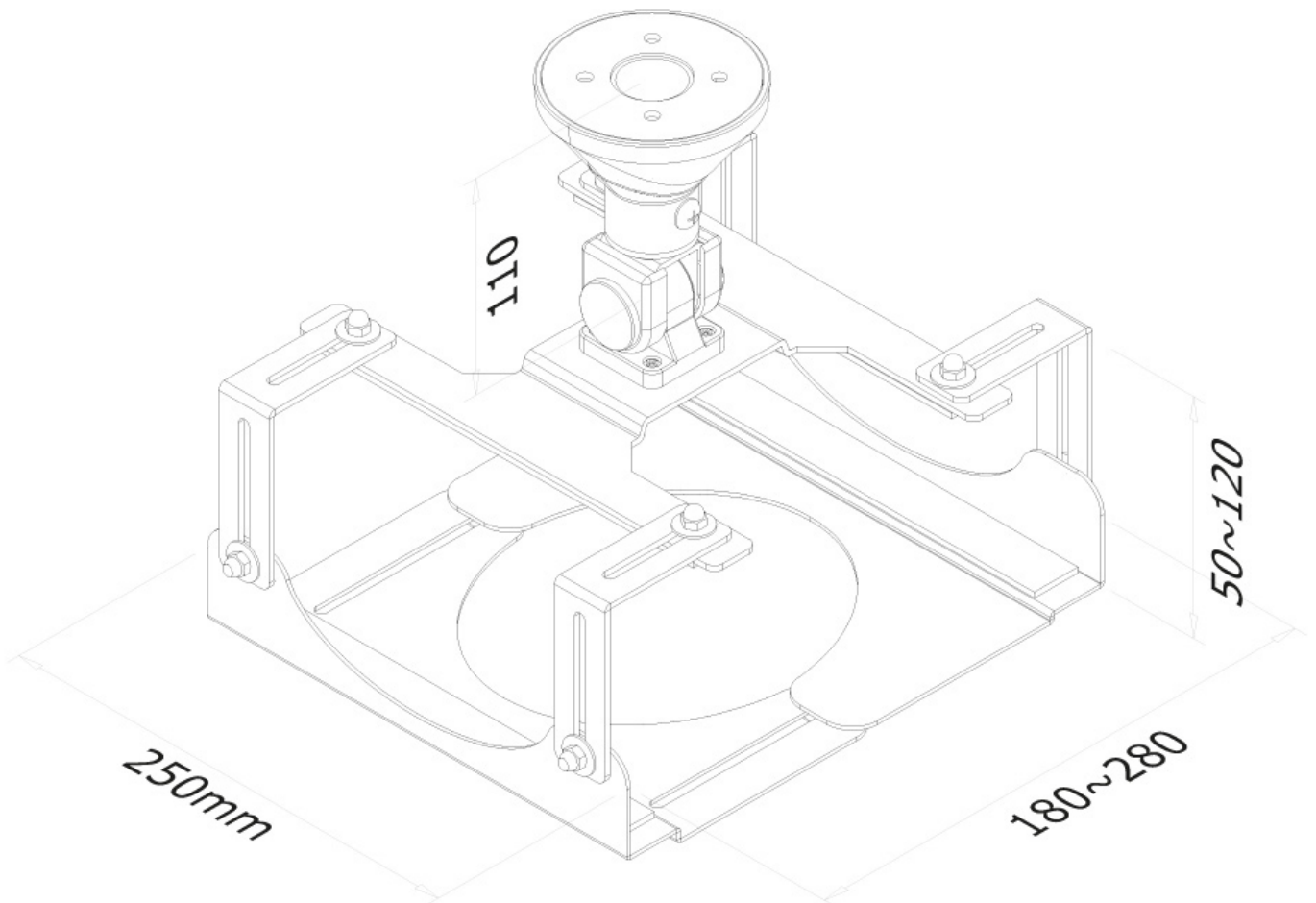
Neomounts BEAMER-C300 has two pivot points and is suitable for most projectors. The weight capacity of this product is 15 kilograms. This universal ceiling mount is easy to install and suitable for projectors with and without mounting holes. The cradle included with this mount, covers most projector sizes.

Projector mounts are ideal for use in offices, schools, hospitals or at home.

All installation material is included with the product.

BEAMER-C300

NEOMOUNTS BEAMER-C300 BEAMER CEILING



Neomounts