

FPMA-D940HC

NEOMOUNTS FPMA-D940HC MONITOR ARM

SPECIFICATIONS

GENERAL

Min. screen size*	10 inch
Max. screen size*	37 inch
Min. weight	8 kg (per screen)
Max. weight	15 kg (per screen)
Screens	1
VESA minimum	75x75 mm
VESA maximum	100x100 mm
Desk mount	Clamp

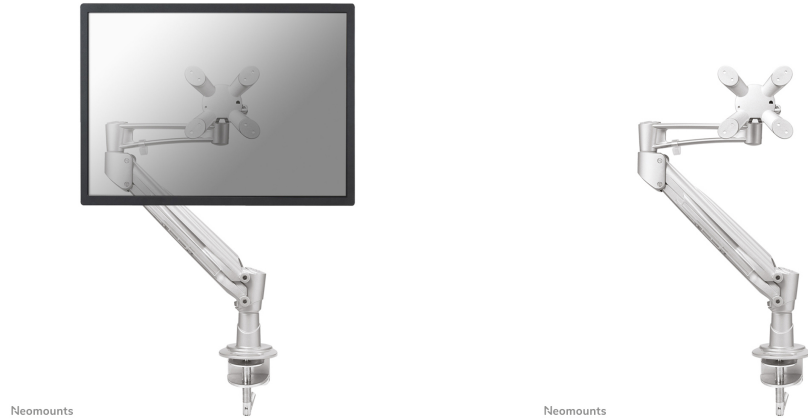
FUNCTIONALITY

Type	Tilt Rotate Swivel Full motion
Height adjustment	0-42 cm
Depth adjustment	0-48 cm
Tilt (degrees)	60°
Swivel (degrees)	360°
Rotate (degrees)	180°
Adjustment type	Gas spring

INFORMATION

Color	Silver
Main material	Aluminium
Warranty	5 year
EAN code	8717371442149

*Please note: The inch sizes stated are just an indication, combined with the weight and VESA sizes. The maximum weight and VESA size are absolute restrictions for the products and should not be exceeded.



Neomounts FPMA-D940HC Single monitor arm - 10-37" - 8-15 kg - gas spring - silver

The Neomounts desk mount, model FPMA-D940HC is a tilt-, swivel and rotatable desk mount for flat screens up to 37". This mount is a great choice for space saving placement on desks using a desk clamp.

Neomounts versatile tilt (60°), rotate (180°) and swivel (360°) technology allows the mount to change to any viewing angle to fully benefit from the capabilities of the flat screen. The mount is easily height adjustable from 0 to 42 centimetres using a gas spring. Depth adjustable from 0 to 48 centimetres. An innovative cable management conceals and routes cables from mount to flat screen. Hide your cables to keep the workplace nice and tidy.

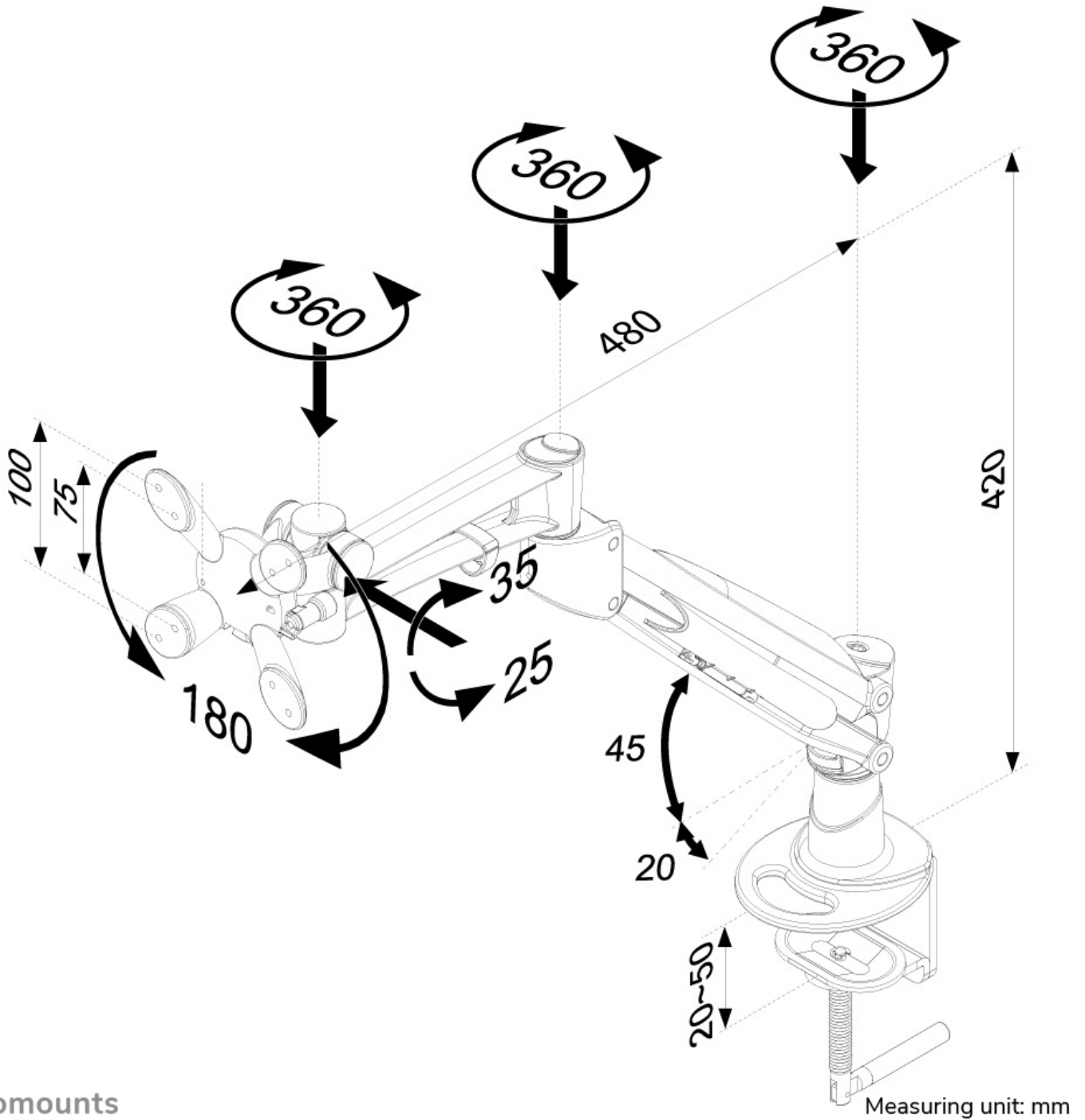
Neomounts FPMA-D940HC has three pivot points and is suitable for screens up to 37" (94 cm). The weight capacity of this product is 8 to 15 kg. The desk mount is suitable for screens that meet VESA hole pattern 75x75 or 100x100mm. Different hole patterns can be covered using Neomounts VESA adapter plates.

By using an ergonomic mount neck- and back complaints can be avoided. Ideal for use in offices and on counters or in a reception area.

All installation material is included with the product.

FPMA-D940HC

NEOMOUNTS FPMA-D940HC MONITOR ARM



Neomounts