

FPMA-MOBILE1800

NEOMOUNTS FPMA-MOBILE1800 MOBILE

SPECIFICATIONS

GENERAL

Min. screen size*	10 inch
Max. screen size*	27 inch
Min. weight	0 kg (per screen)
Max. weight	6 kg (per screen)
Screens	1
VESA minimum	75x75 mm
VESA maximum	100x100 mm

FUNCTIONALITY

Type	Tilt Swivel Full motion
Height adjustment	180 cm
Tilt (degrees)	25°
Swivel (degrees)	180°
Adjustment type	Manual

INFORMATION

Color	Silver
Main material	Aluminium
Warranty	5 year
EAN code	8717371440701

*Please note: The inch sizes stated are just an indication, combined with the weight and VESA sizes. The maximum weight and VESA size are absolute restrictions for the products and should not be exceeded.



Neomounts FPMA-MOBILE1800 Mobile workstation - 10-27" - max 6 kg - VESA 75x75-100x100 - silver

The Neomounts floor stand, model FPMA-MOBILE1800 is a tiltable mobile floor stand for flat screens up to 24" for keyboards, mice and PC. This mobile stand is a great choice for space saving placement or when wall-, ceiling mounting or desk placement is not an option. This cart stretches your investment by serving a variety of projection needs by sharing a display, keyboard, mouse and PC over multiple rooms. Get optimal positioning for both standing and seated audiences, in any application, in any part of your location.

Neomounts versatile tilt (25°) technology allows the mount to change to any viewing angle to fully benefit from the capabilities of the flat screen. The mount is manually height adjustable from 0 to 180 centimetres. An innovative cable management conceals and routes cables from mount to flat screen. Hide your cables to keep the stand nice and tidy.

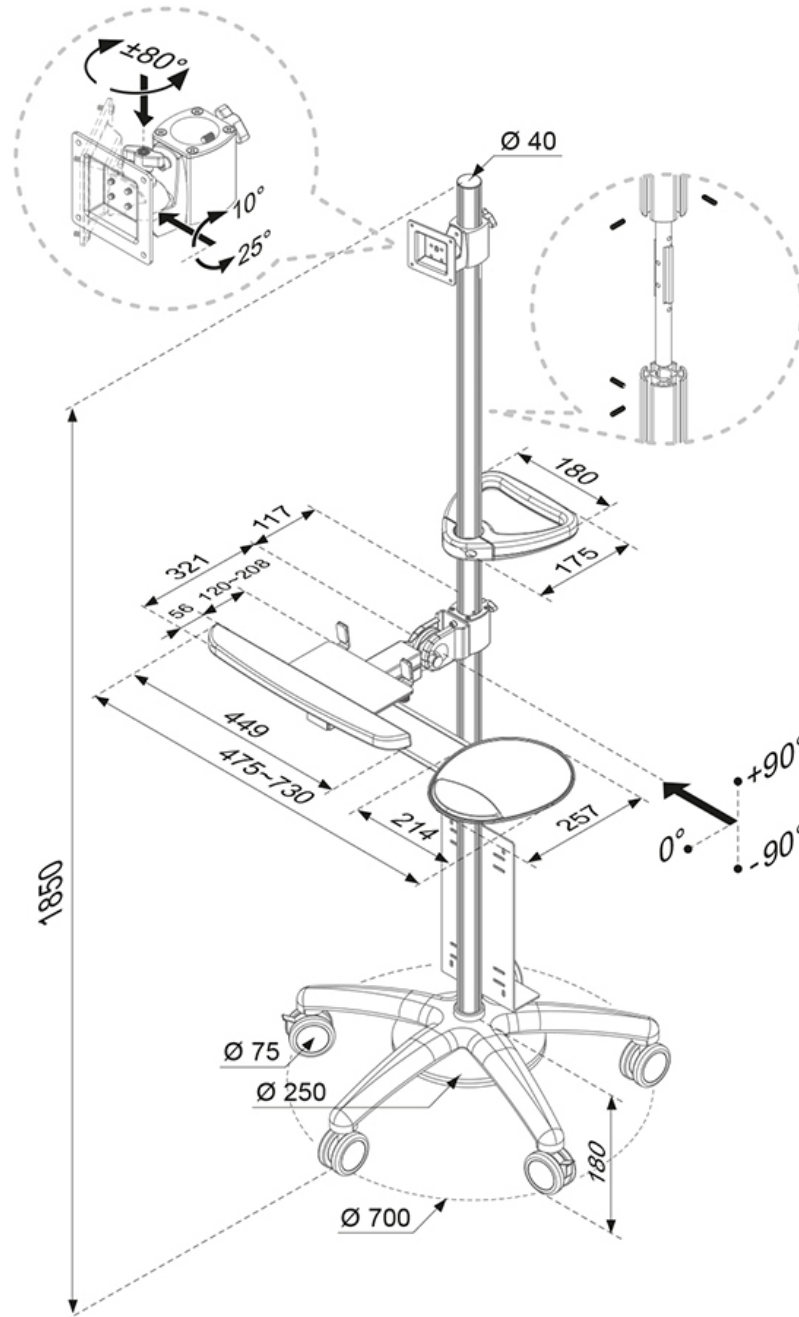
Neomounts' floor stand, FPMA-MOBILE1800 holds your screen and even hides your cables. The casters allow the stand to move it to where you need it. Easily roll this cart through doorways and over thresholds.

Neomounts FPMA-MOBILE1800 has one pivot point and is suitable for screens up to 27" (69 cm). The weight capacity of this product is 6 kg each screen. The stand is suitable for screens that meet VESA hole pattern 75x75 & 100x100mm. Different hole patterns can be covered using Neomounts VESA adapter plates. Speedy assembly and installation.

All installation material is included with the product.

FPMA-MOBILE1800

NEOMOUNTS FPMA-MOBILE1800 MOBILE



Neomounts

Measuring unit: mm