

NS-ATV100

SPECIFICATIONS

GENERAL

Min. weight	0 kg (per screen)
Max. weight	10 kg (per screen)
VESA minimum	75x75 mm
VESA maximum	75x75 mm
Distance to wall	4,2 cm

FUNCTIONALITY

Type	Fixed
Height adjustment	10,5 cm
Width adjustment	10,4 cm
Depth adjustment	4,2 cm
Adjustment type	None
Lockable	Lockable - Lock not included

INFORMATION

Color	Black
Main material	Steel
Warranty	5 year
EAN code	8717371445553

*Please note: The inch sizes stated are just an indication, combined with the weight and VESA sizes. The maximum weight and VESA size are absolute restrictions for the products and should not be exceeded.

NEOMOUNTS BY NEWSTAR MEDIAPLAYER



Neomounts by Newstar Lockable Apple TV Mount

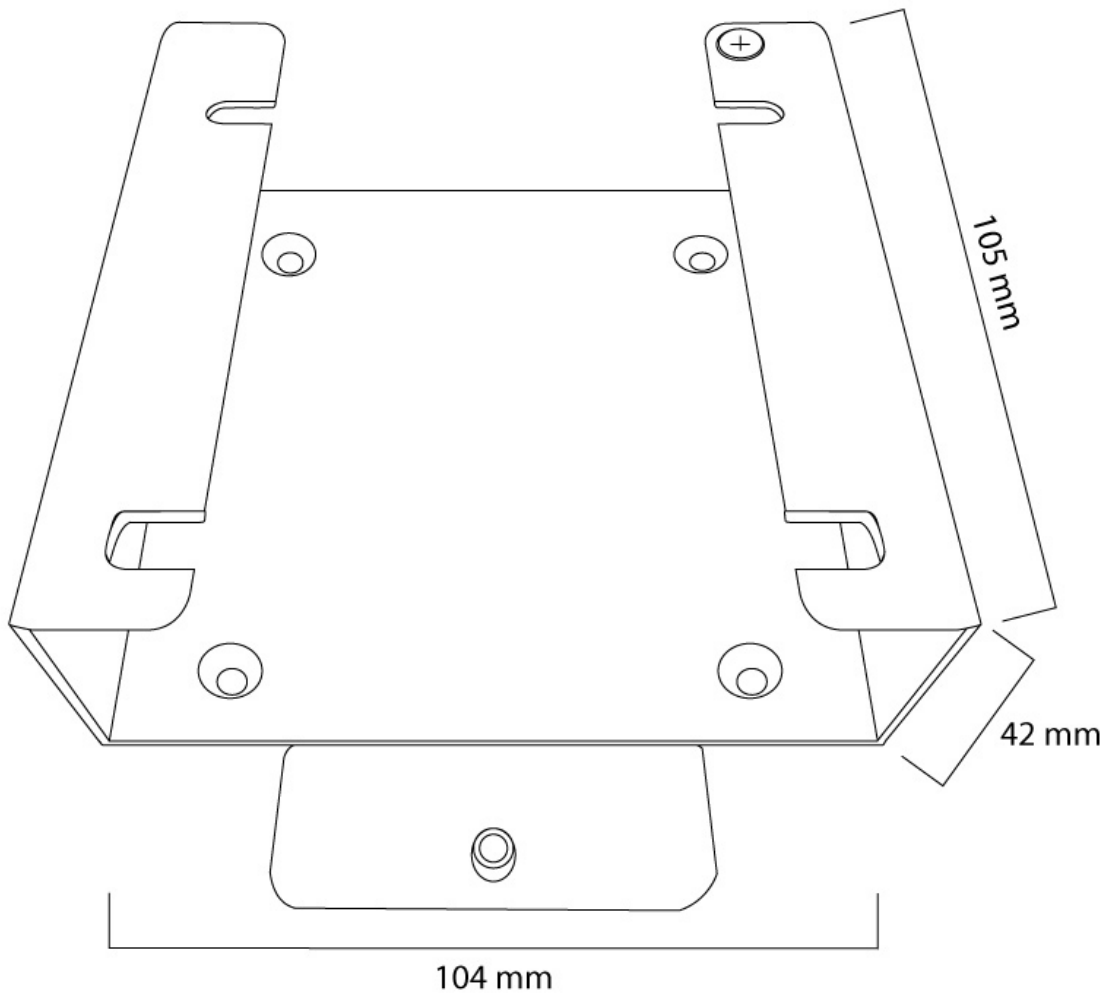
This Neomounts by Newstar Apple TV mount, model NS-ATV100, allows you to mount and secure your Apple TV. It's ventilated design protects your Apple TV against overheating and loss of signals. Model NS-ATV100 fits Apple TV model 2, 3, 4 and 5. The Neomounts by Newstar Apple TV Security bracket is simple and easy to install! The design allows you to secure the Apple TV to any flat surface using the bracket's standard 75 mm (VESA mount pattern) mounting holes. Slide the Apple TV into the bracket, secure the Apple TV and install the cables.

This mount allows installation to any flat surface and can also be mounted on Neomounts by Newstar flat screen mounts. Ideal to combine a flat screen and Apple TV.

All installation material is included with the product.

NS-ATV100

NEOMOUNTS BY NEWSTAR MEDIAPLAYER



Neomounts