

FPMA-D865BLACK

NEOMOUNTS FPMA-D865BLACK MONITOR

SPECIFICATIONS

GENERAL

Min. screen size*	10 inch
Max. screen size*	32 inch
Min. weight	0 kg (per screen)
Max. weight	7 kg (per screen)
Screens	1
VESA minimum	75x75 mm
VESA maximum	100x100 mm
Desk mount	Stand

FUNCTIONALITY

Type	Tilt Rotate Swivel Full motion
Height adjustment	35,2-47,2 cm
Depth adjustment	5 cm
Tilt (degrees)	+20°, -20°
Swivel (degrees)	90°
Pivot points	1
Rotate (degrees)	360°
Adjustment type	Gas spring

INFORMATION

Color	Black
Main material	Steel
Warranty	5 year
EAN code	8717371446734

*Please note: The inch sizes stated are just an indication, combined with the weight and VESA sizes. The maximum weight and VESA size are absolute restrictions for the products and should not be exceeded.



Neomounts FPMA-D865BLACK Single monitor stand - 10-32" - 0-7 kg - gas spring - black

The Neomounts desk mount, model FPMA-D865BLACK is a tilt-, swivel and rotatable desk mount for flat screens up to 32". This mount is a great choice for space saving placement on desks using a desk stand.

Neomounts versatile tilt (40°), rotate (360°) and swivel (90°) technology allows the mount to change to any viewing angle to fully benefit from the capabilities of the flat screen. The mount is manually height adjustable from 35 to 47 centimetres. Depth 5 centimetres.

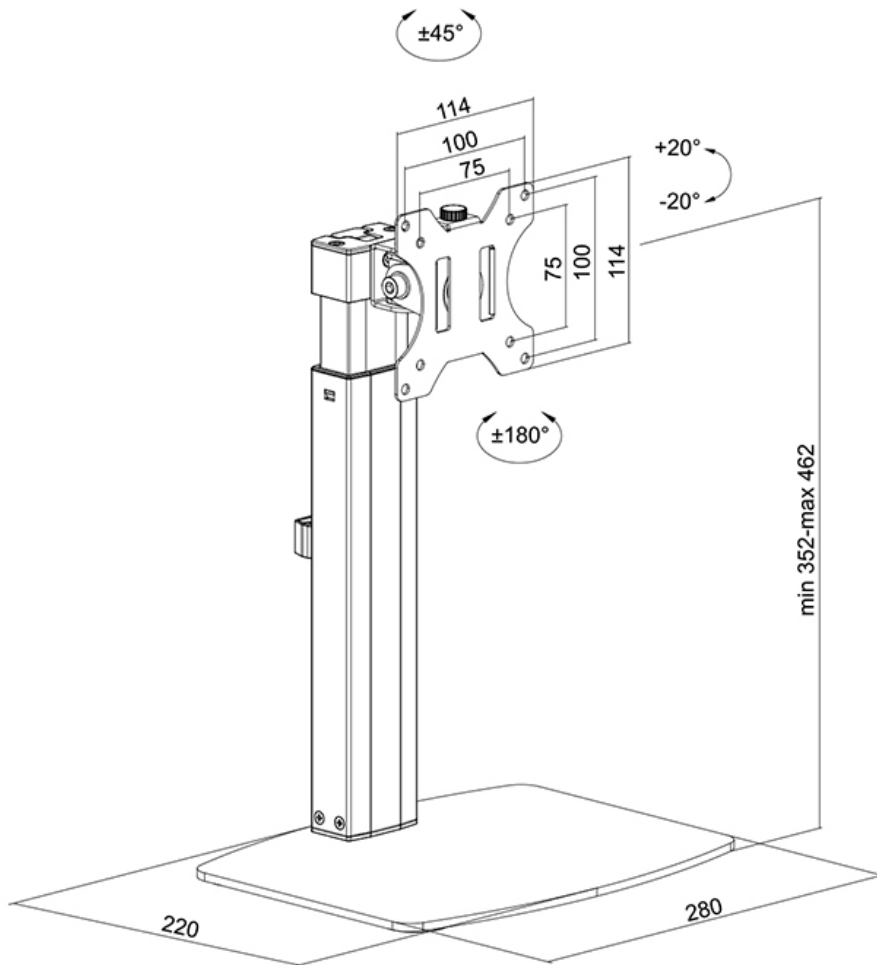
Neomounts FPMA-D865BLACK has one pivot point and is suitable for screens up to 32" (81 cm). The weight capacity of this product is 7 kg. The desk mount is suitable for screens that meet VESA hole pattern 75x75 or 100x100mm. Different hole patterns can be covered using Neomounts VESA adapter plates.

By using an ergonomic mount neck- and back complaints can be avoided. Ideal for use in offices and on counters or in a reception area.

All installation material is included with the product.

FPMA-D865BLACK

NEOMOUNTS FPMA-D865BLACK MONITOR



Neomounts

Measuring unit: mm