

FPMA-VESA120

SPECIFICATIONS

GENERAL

Min. screen size*	10 inch
Max. screen size*	32 inch
Min. weight	0 kg (per screen)
Max. weight	25 kg (per screen)
Screens	1
VESA minimum	100x100 mm
VESA maximum	200x200 mm

FUNCTIONALITY

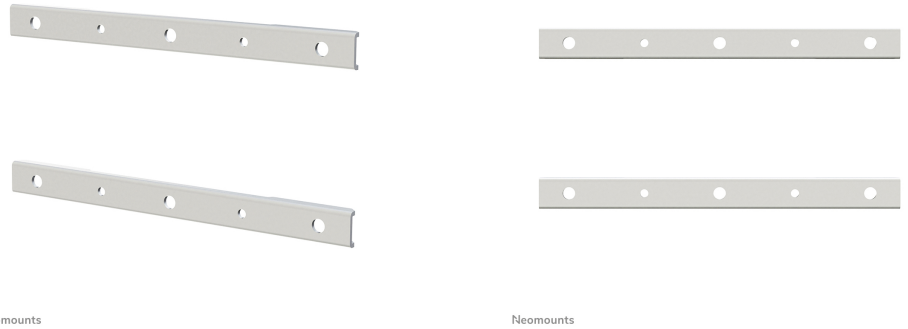
Type	Fixed
Adjustment type	None

INFORMATION

Color	Silver
Main material	Steel
Warranty	5 year
EAN code	8717371442309

*Please note: The inch sizes stated are just an indication, combined with the weight and VESA sizes. The maximum weight and VESA size are absolute restrictions for the products and should not be exceeded.

NEOMOUNTS FPMA-VESA120 VESA-ADAPTER



Neomounts FPMA-VESA120 VESA-adapter - 10-32" - max 25 kg - VESA 100x100-200x200 - silver

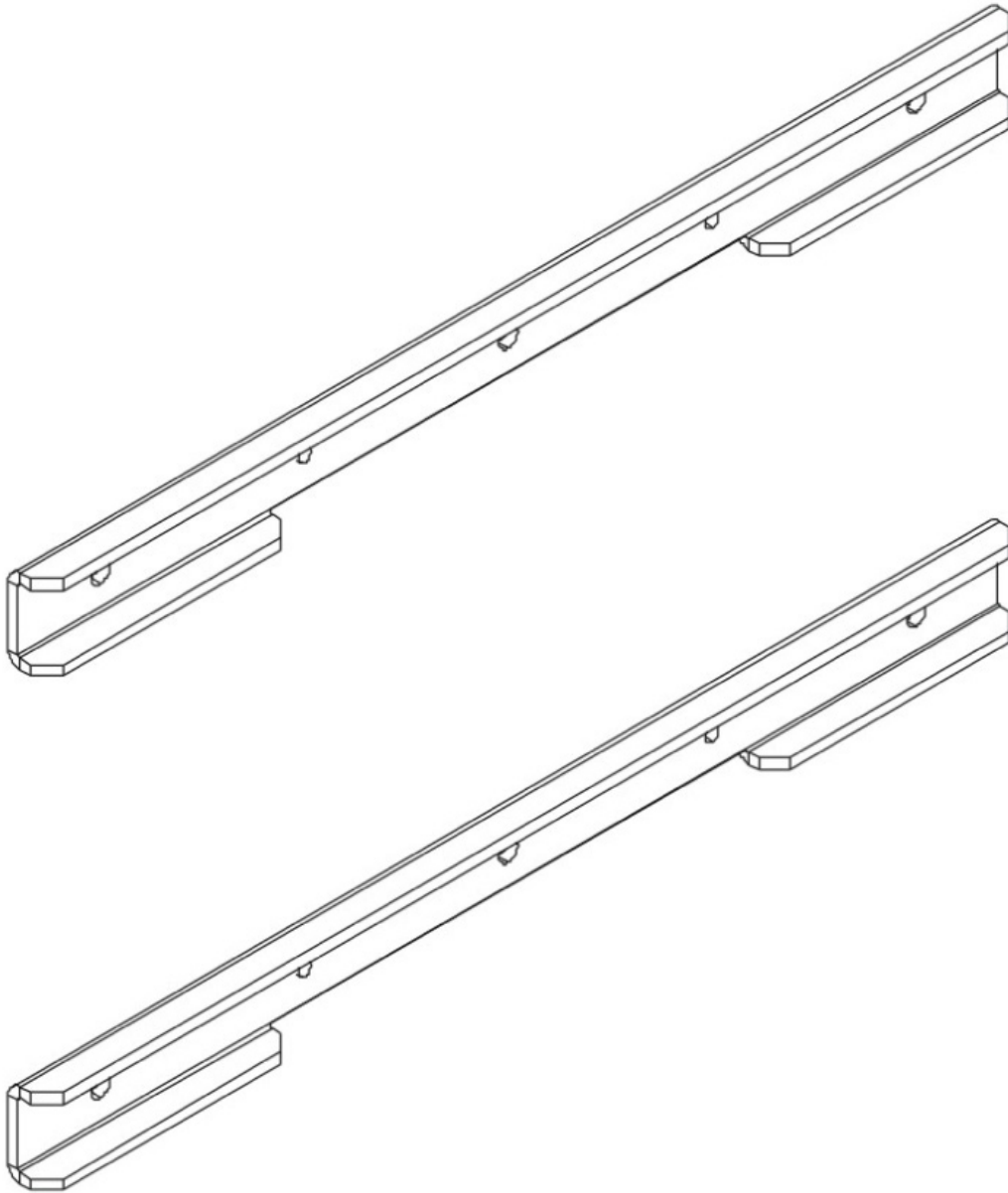
The Neomounts VESA adapter, model FPMA-VESA120 allows a VESA mount with 100x100 mm interface to be used with displays with VESA hole patterns of 200x200 mm. Ideal when flat screen needs different VESA pattern to select wall-, desk- or ceiling mount.

Neomounts FPMA-VESA120 is suitable for screens up to 32" (80 cm). The weight capacity of this product is 25 kg each screen. Depth of this adapter is 4 millimetres only. The adapter is suitable for screens that meet VESA hole pattern 100x200 mm. Different hole patterns can be covered using Neomounts VESA adapter plates.

All installation material is included with the product.

FPMA-VESA120

NEOMOUNTS FPMA-VESA120 VESA-ADAPTER



Neomounts