

FPMA-W350BLACK

NEOMOUNTS FPMA-W350BLACK TV MOUNT

SPECIFICATIONS

GENERAL

Min. screen size*	32 inch
Max. screen size*	55 inch
Max. weight	40 kg (per screen)
Screens	1
VESA minimum	200x200 mm
VESA maximum	400x400 mm
Distance to wall	5,3 cm

FUNCTIONALITY

Type	Tilt
Height adjustment	42,5 cm
Width adjustment	43,3 cm
Depth adjustment	5,3 cm
Tilt (degrees)	24°

INFORMATION

Color	Black
Main material	Steel
Warranty	5 year
EAN code	8717371448394

*Please note: The inch sizes stated are just an indication, combined with the weight and VESA sizes. The maximum weight and VESA size are absolute restrictions for the products and should not be exceeded.



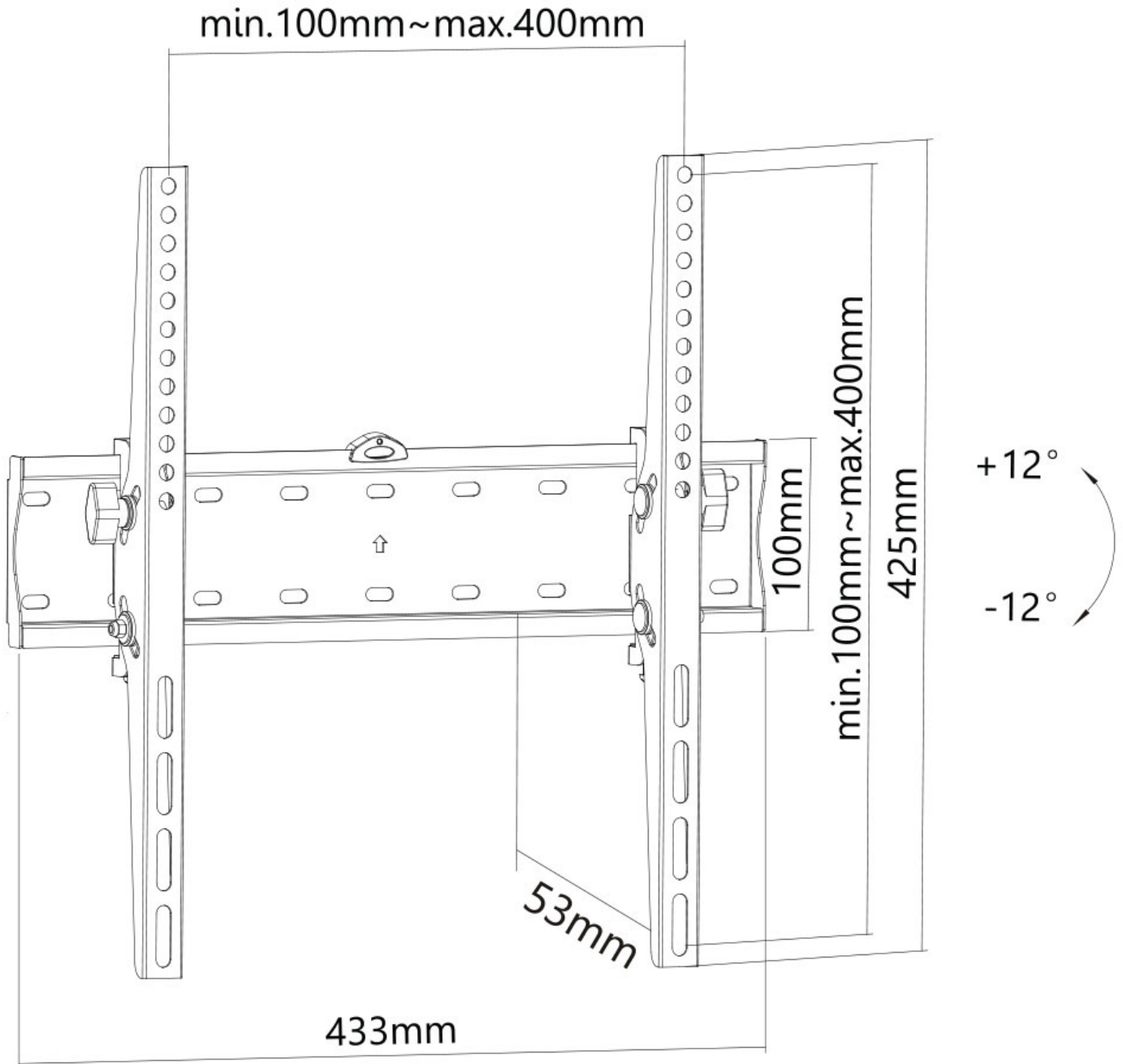
Neomounts FPMA-W350BLACK Tiltable TV mount wall - 32-55" - max 40 kg - VESA 200x200-400x400 - d 5,3 cm - black

The Neomounts FPMA-W350BLACK is a tiltable wall mount for flat screens up to 55" with a maximum weight capacity of 40 kg. The versatile tilt technology (24°) allows you to create the optimum viewing angle.

The FPMA-W350BLACK has a depth of 5,3 cm and is suitable for screens that meet VESA hole pattern 200x200 to 400x400mm. Deviant hole patterns can be covered using one of Neomounts VESA adapter plates. The integrated bubble level assures easy installation of the mount.

FPMA-W350BLACK

NEOMOUNTS FPMA-W350BLACK TV MOUNT



Neomounts