

NM-TC100BLACK

NEOMOUNTS NM-TC100BLACK MINI PC

SPECIFICATIONS

GENERAL

Min. weight	0 kg (per screen)
Max. weight	5 kg (per screen)
VESA minimum	50x50 mm
VESA maximum	100x100 mm

FUNCTIONALITY

Type	Fixed
Height adjustment	13,8 cm
Width adjustment	1,7-7 cm

INFORMATION

Color	Black
Main material	Steel
Warranty	5 year
EAN code	8717371445737

*Please note: The inch sizes stated are just an indication, combined with the weight and VESA sizes. The maximum weight and VESA size are absolute restrictions for the products and should not be exceeded.



Neomounts



Neomounts

Neomounts NM-TC100BLACK Mini PC/NUC/Thin client holder - max 5 kg - VESA 50x50-100x100 - w 1,7-7 cm - universal - black

The Neomounts NM-TC100BLACK thin client holder allows you to install a thin client computer to a monitor mount, pole or under the desk.

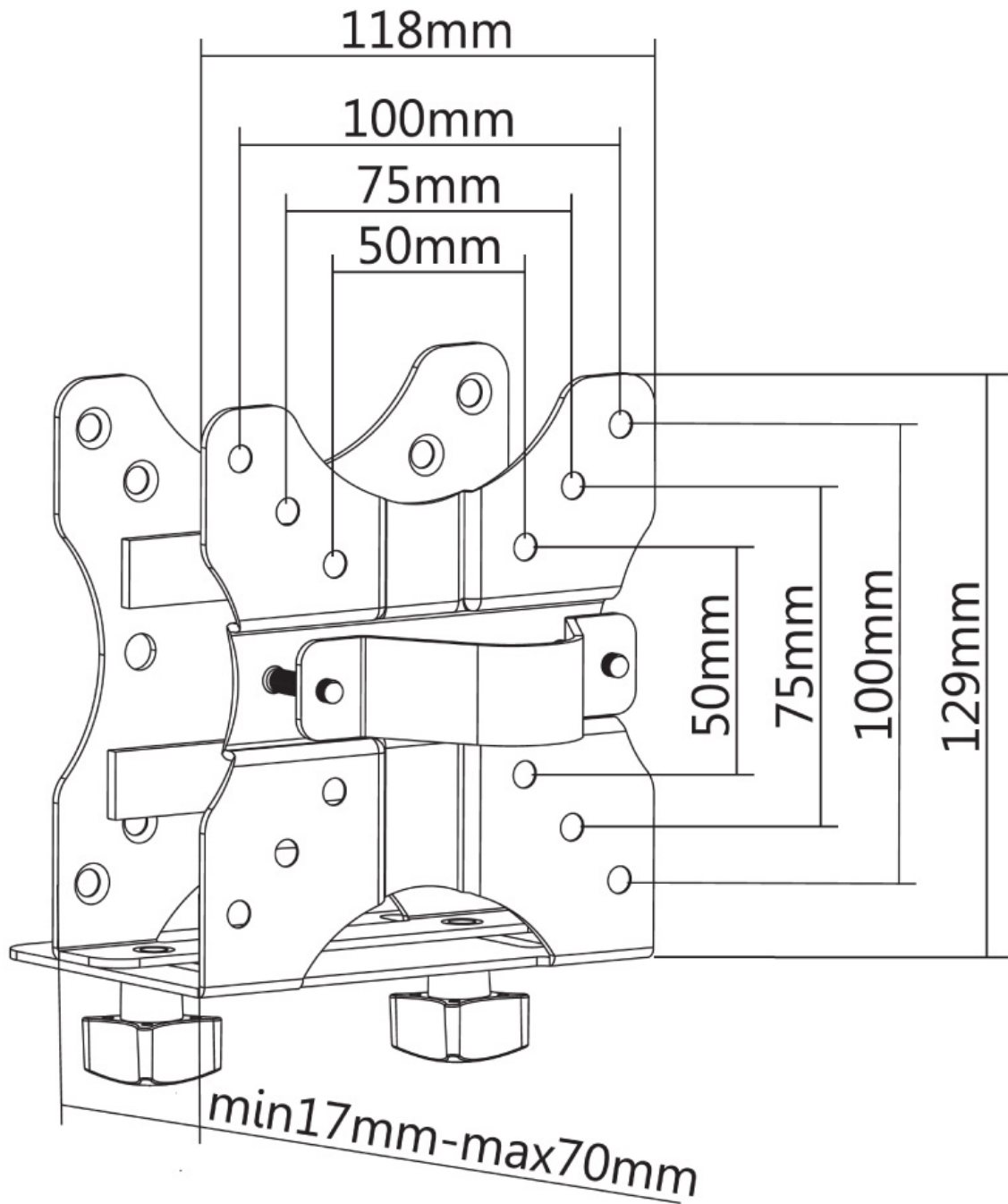
The thin client holder can be installed out of sight, directly to the VESA plate, behind the monitor. The NM-TC100BLACK includes VESA 50/75/100 hole pattern to simplify installation in combination with flat screens. By installing the thin client holder to the VESA plate, you can utilize the cable management of the desk mount and keep the workspace free of cables.

Additionally, the holder can be mounted to a Ø35 mm pole or to a desk. With this practical solution you do not only create a neat and clean workspace, but will also benefit the lifetime of your device due to the reduction intake of dust and dirt.

The NM-TC100BLACK can be easily adjusted in width and depth to fit most thin client PCs.

NM-TC100BLACK

NEOMOUNTS NM-TC100BLACK MINI PC



Neomounts